

**b10**

**Carey 48**



**PRODUCT CARD**

P-IMP-MKT-xxx · 0124 EN

**be bath**  
**be a ten**



## Carey 48

SolidSurface



### Included

- Carey 48 washbasin of SolidSurface
- Valve not included
- Cardboard packaging

### Finishes



### Technical characteristics

Carey 48	
Washbasin weight	6 kg
Shipping weight	8,5 kg
Shipping volumen	0,0455 m3
Shipping dimensions	650 x 350 x 200 mm

### Description of materials

# SolidSurface

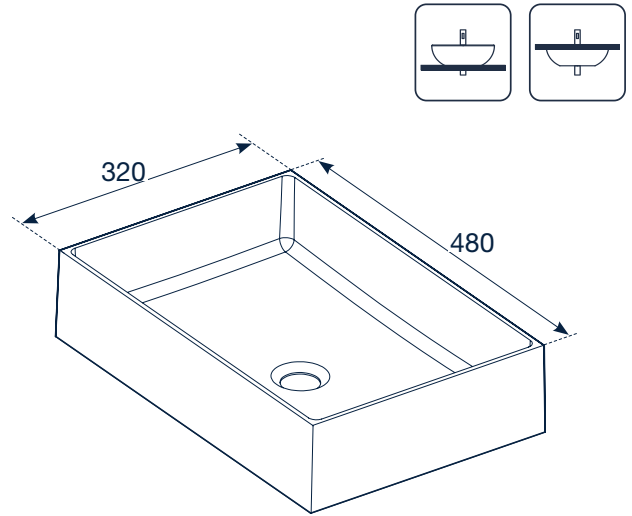
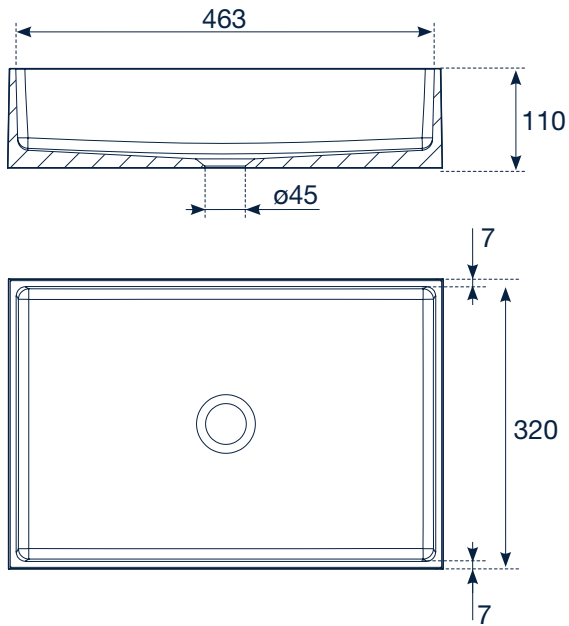
It is obtained mainly from resins ISO NPG and mineral loads, combining physical properties such as durability, resistance, non-toxicity and ease of repair and maintenance, together with aesthetic properties with practically unlimited shapes, colours and textures.

The properties of SolidSurface are values of resistance to water, thermal shock, heat, impact, staining, chemical agents and cigarette burns, as well as tests related to guaranteeing color stability, hardness, resistance to microorganisms, cleanliness and hygiene, as well as the possibility of joining and renovation.



## Carey 48

SolidSurface



Dimensions in mm  
Tolerance  $\pm 5$  mm



Ctra. Onda - Vila-real, Km. 12,6  
12200 Onda (Castellón) Spain  
+34 964 626 300

Customer service [export@b10bath.com](mailto:export@b10bath.com)  
[www.b10bath.com](http://www.b10bath.com)