

**b10**

Carey 75



**PRODUCT CARD**

P-IMP-MKT-xxx · 0124 EN

be bath  
be a ten



## Carey 75

SolidSurface



### Included

- Carey 75 washbasin of SolidSurface
- Valve not included
- Cardboard packaging

### Finishes



### Technical characteristics

| Carey 75            |                    |
|---------------------|--------------------|
| Washbasin weight    | 10,5 kg            |
| Shipping weight     | 12 kg              |
| Shipping volumen    | 0,1105 m3          |
| Shipping dimensions | 850 x 520 x 250 mm |

### Description of materials

# SolidSurface

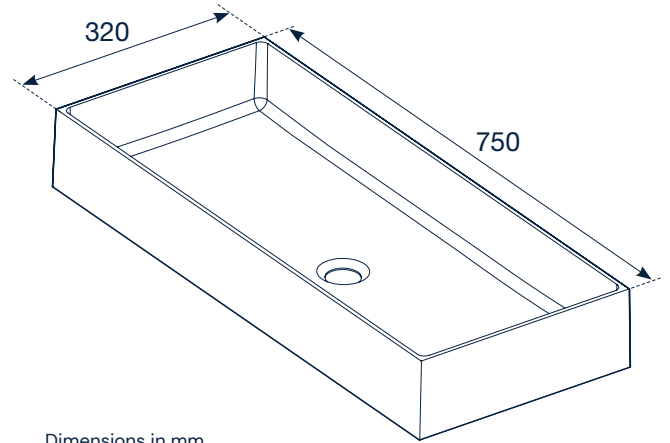
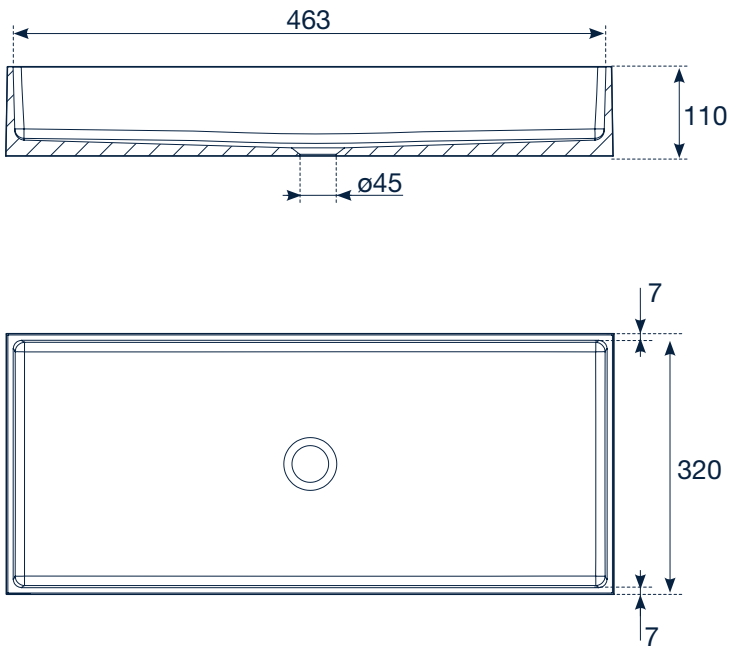
It is obtained mainly from resins ISO NPG and mineral loads, combining physical properties such as durability, resistance, non-toxicity and ease of repair and maintenance, together with aesthetic properties with practically unlimited shapes, colours and textures.

The properties of SolidSurface are values of resistance to water, thermal shock, heat, impact, staining, chemical agents and cigarette burns, as well as tests related to guaranteeing color stability, hardness, resistance to microorganisms, cleanliness and hygiene, as well as the possibility of joining and renovation.



## Carey 75

SolidSurface



Dimensions in mm  
Tolerance  $\pm 5$  mm

The data and characteristics indicated do not bind BAÑOS 10 S.L., which reserves the right to make any changes it deems appropriate, without being bound by it upon prior notice or replacement. Valid data except error or omission.



Ctra. Onda - Vila-real, Km. 12,6  
12200 Onda (Castellón) Spain  
+34 964 626 300

Customer service [export@b10bath.com](mailto:export@b10bath.com)  
[www.b10bath.com](http://www.b10bath.com)