

b10

Hoth



PRODUCT CARD

P-IMP-MKT-xxx · 0124 EN

be **bath**
be a ten



Hoth

SolidSurface



Included

- Hoth washbasin of SolidSurface
- Valve not included
- Cardboard packaging

Finishes



Technical characteristics

Hoth	
Washbasin weight	3 kg
Shipping weight	4,5 kg
Shipping volumen	0,0405 m3
Shipping dimensions	450 x 450 x 200 mm

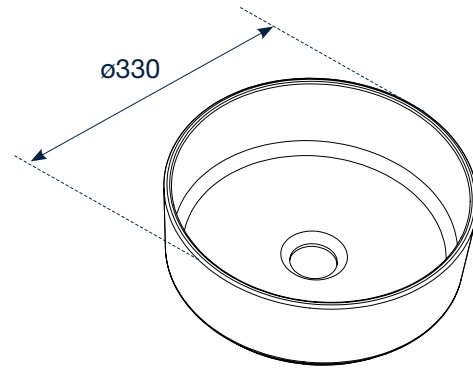
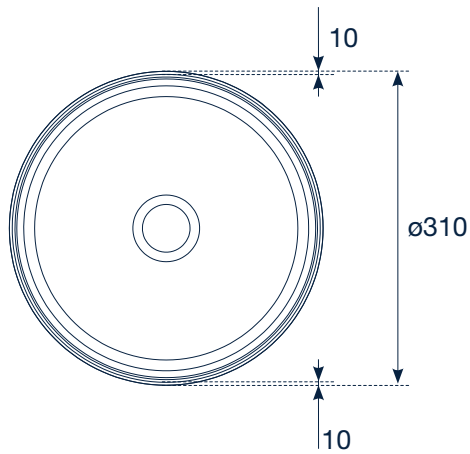
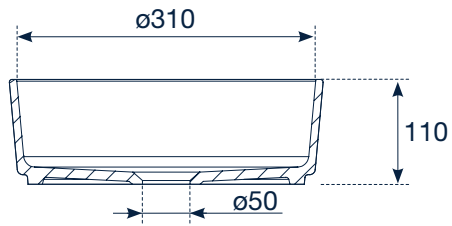
Description of materials

SolidSurface

It is obtained mainly from resins ISO NPG and mineral loads, combining physical properties such as durability, resistance, non-toxicity and ease of repair and maintenance, together with aesthetic properties with practically unlimited shapes, colours and textures.

The properties of SolidSurface are values of resistance to water, thermal shock, heat, impact, staining, chemical agents and cigarette burns, as well as tests related to guaranteeing color stability, hardness, resistance to microorganisms, cleanliness and hygiene, as well as the possibility of joining and renovation.





Dimensions in mm
Tolerance ± 5 mm



Ctra. Onda - Vila-real, Km. 12,6
12200 Onda (Castellón) Spain
+34 964 626 300

Customer service export@b10bath.com
www.b10bath.com