

b10

Jade



PRODUCT CARD

P-IMP-MKT-xxx - 0124 EN

**be bath
be a ten**



Jade

SolidSurface



Included

- Jade washbasin of SolidSurface
- Valve not included
- Cardboard packaging

Finishes



Off White Vanilla Peach Sand Titan



Mink Antracita Negro

Finish applied externally

Technical characteristics

| Jade | |
|---------------------|--------------------|
| Washbasin weight | 5 kg |
| Shipping weight | 5,5 kg |
| Shipping volumen | 0,0455 m3 |
| Shipping dimensions | 650 x 350 x 200 mm |

Description of materials

SolidSurface

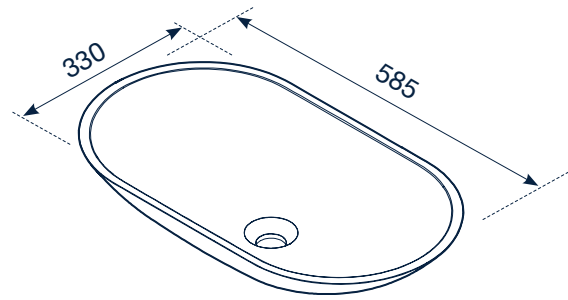
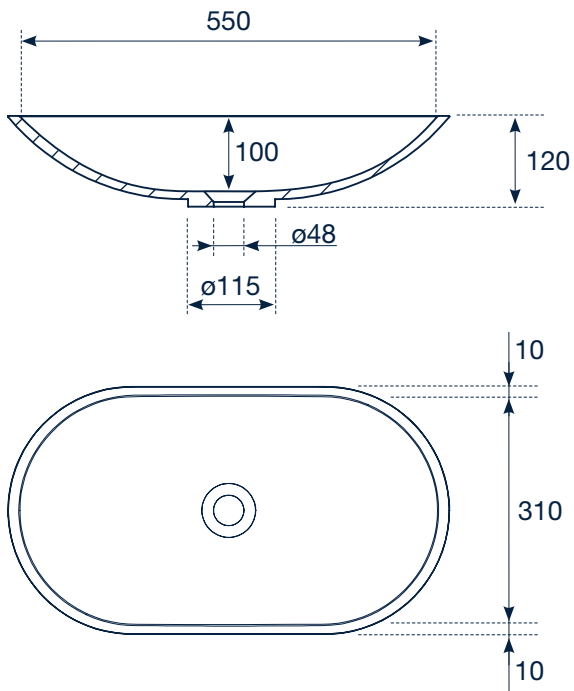
It is obtained mainly from resins ISO NPG and mineral loads, combining physical properties such as durability, resistance, non-toxicity and ease of repair and maintenance, together with aesthetic properties with practically unlimited shapes, colours and textures.

The properties of SolidSurface are values of resistance to water, thermal shock, heat, impact, staining, chemical agents and cigarette burns, as well as tests related to guaranteeing color stability, hardness, resistance to microorganisms, cleanliness and hygiene, as well as the possibility of joining and renovation.



Jade

SolidSurface



Dimensions in mm
Tolerance ± 5 mm



The data and characteristics indicated do not bind BAÑOS 10 S.L., which reserves the right to make any changes it deems appropriate, without being bound by it upon prior notice or replacement. Valid data except error or omission.



Ctra. Onda - Vila-real, Km. 12,6
12200 Onda (Castellón) Spain
+34 964 626 300

Customer service export@b10bath.com
www.b10bath.com