





## Kaury

SolidSurface



### Finishes



Off White    Vanilla    Peach    Sand    Titan



Mink    Antracita    Negro

Finish applied externally

### Included

- Kaury washbasin of SolidSurface
- Valve not included
- Cardboard packaging

### Technical characteristics

| Kaury               |                    |
|---------------------|--------------------|
| Washbasin weight    | 8 kg               |
| Shipping weight     | 9,5 kg             |
| Shipping volumen    | 0,0405 m3          |
| Shipping dimensions | 450 x 450 x 200 mm |

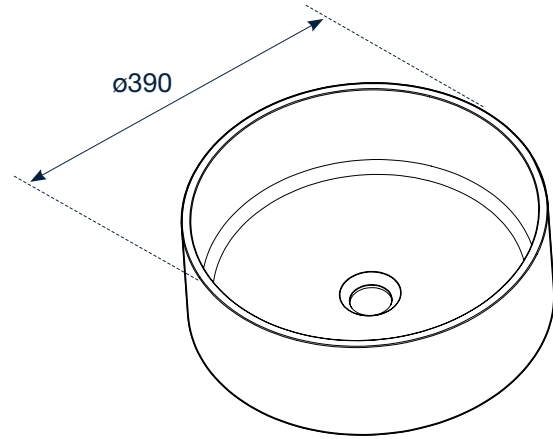
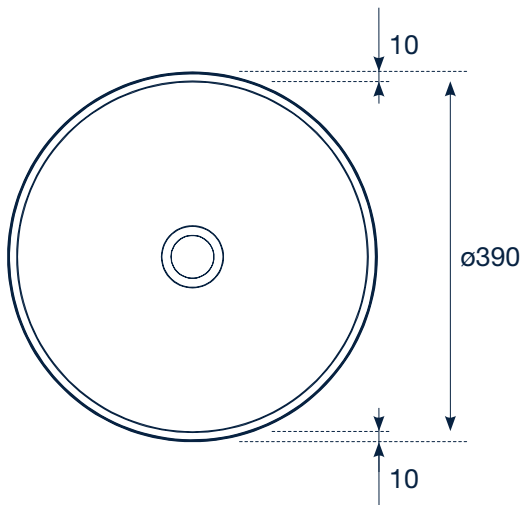
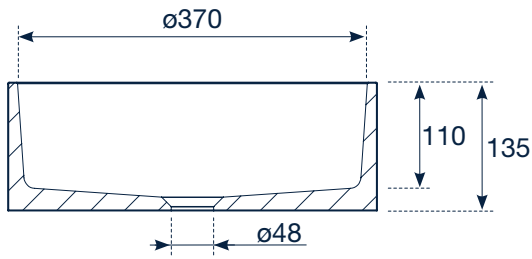
### Description of materials

# SolidSurface

It is obtained mainly from resins ISO NPG and mineral loads, combining physical properties such as durability, resistance, non-toxicity and ease of repair and maintenance, together with aesthetic properties with practically unlimited shapes, colours and textures.

The properties of SolidSurface are values of resistance to water, thermal shock, heat, impact, staining, chemical agents and cigarette burns, as well as tests related to guaranteeing color stability, hardness, resistance to microorganisms, cleanliness and hygiene, as well as the possibility of joining and renovation.





Dimensions in mm  
Tolerance  $\pm 5$  mm



Ctra. Onda - Vila-real, Km. 12,6  
12200 Onda (Castellón) Spain  
+34 964 626 300

Customer service [export@b10bath.com](mailto:export@b10bath.com)  
[www.b10bath.com](http://www.b10bath.com)