

b10

Quadra Life F10



PRODUCT CARD

P-IMP-MKT-xxx · 0124 EN

be bath
be a ten



Quadra Life F10

**SolidCoat
Surface**

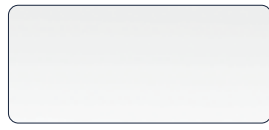


Finishes



Blanco

Textures



Silken

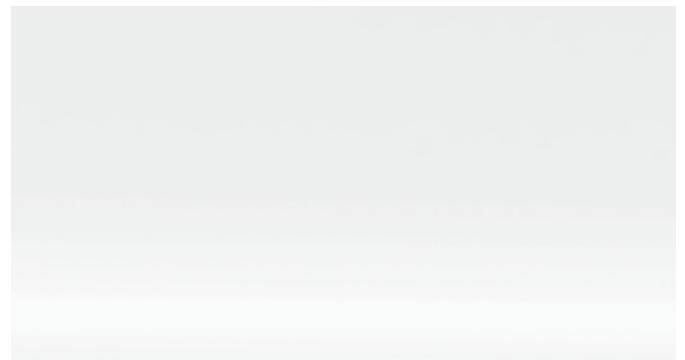
Included

- Quadra Life F10 countertop of SolidCoat Surface
- Valve not included
- Brackets not included
- Cardboard packaging

Description of materials

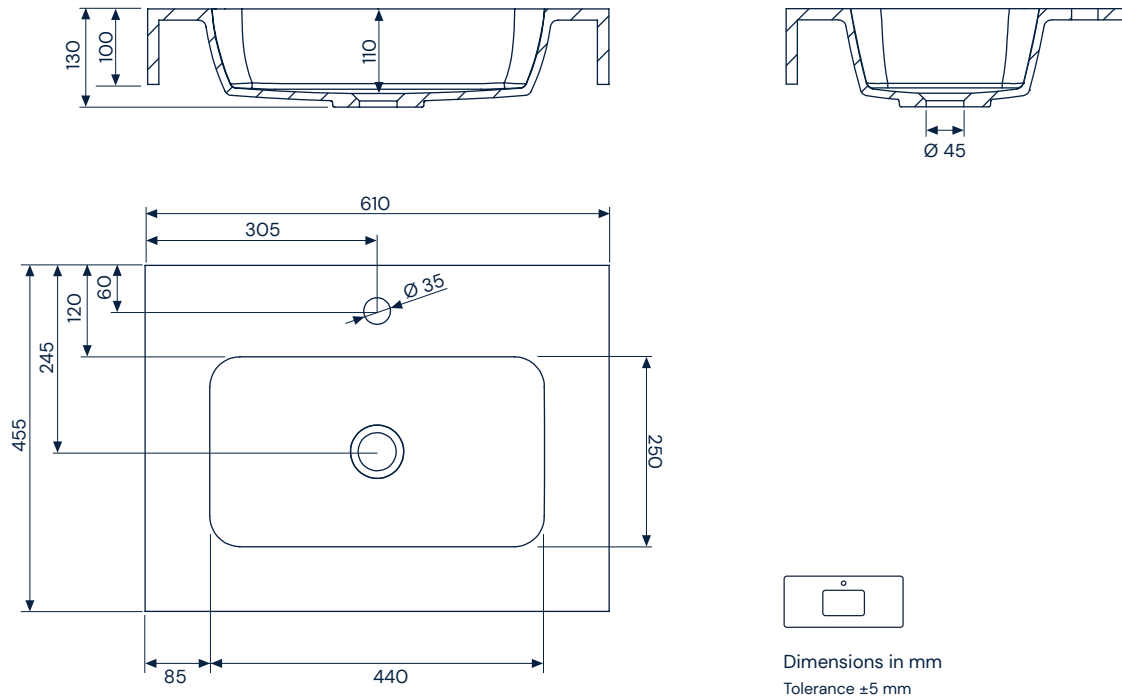
SolidCoat Surface

It is a highly durable and resistant material, made from gelcoat and composted polyester resins with mineral fillers that benefits from a double surface protection process with polyurethane, which, due to its low porosity, prevents the proliferation of germs and gives it greater impermeability, inalterability over time, resistance, ease of maintenance and one of the most matt and natural finishes on the market. SolidCoat Surface can also be repaired.



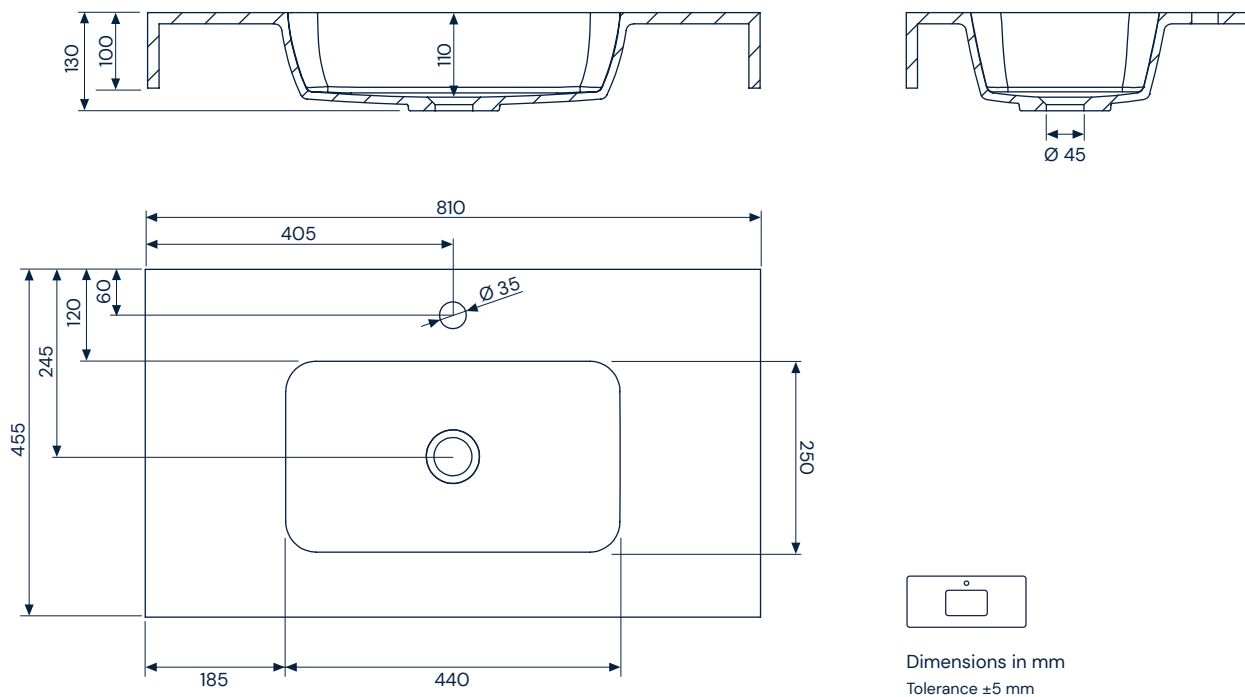
Quadra Life F10 61

SolidCoat
Surface



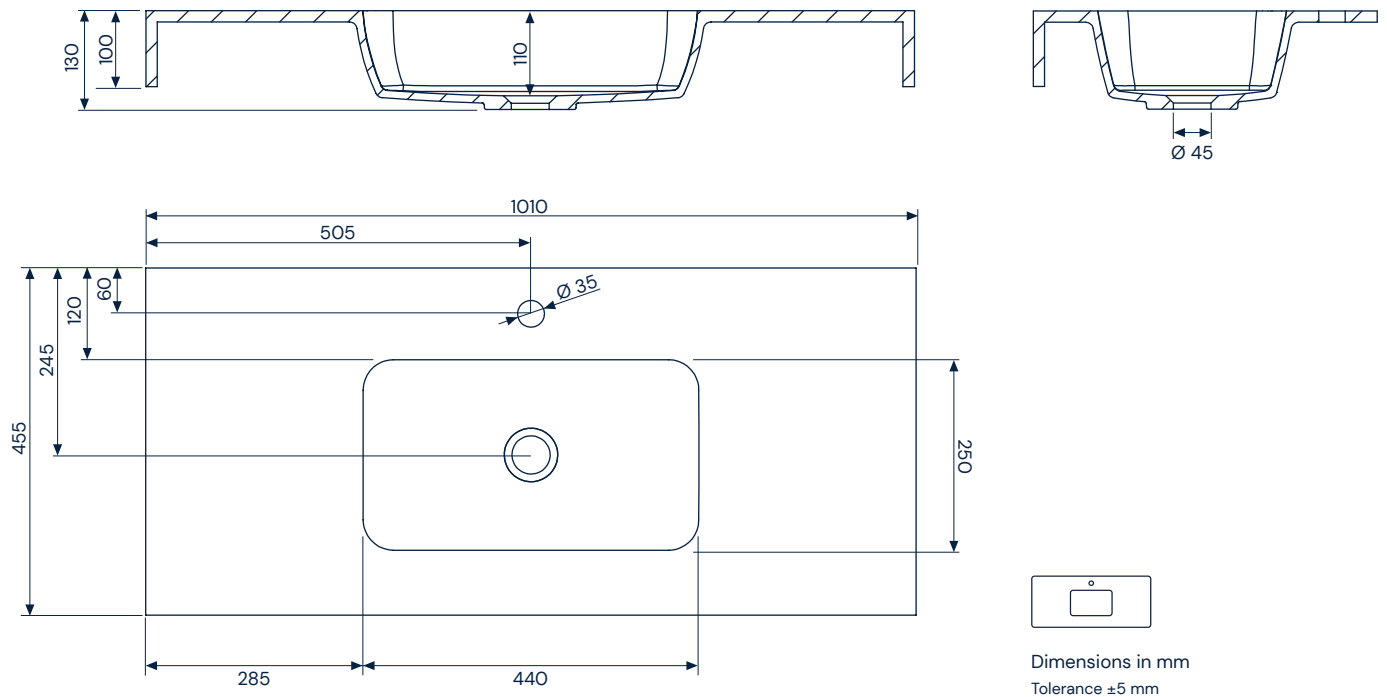
Quadra Life F10 81

SolidCoat
Surface



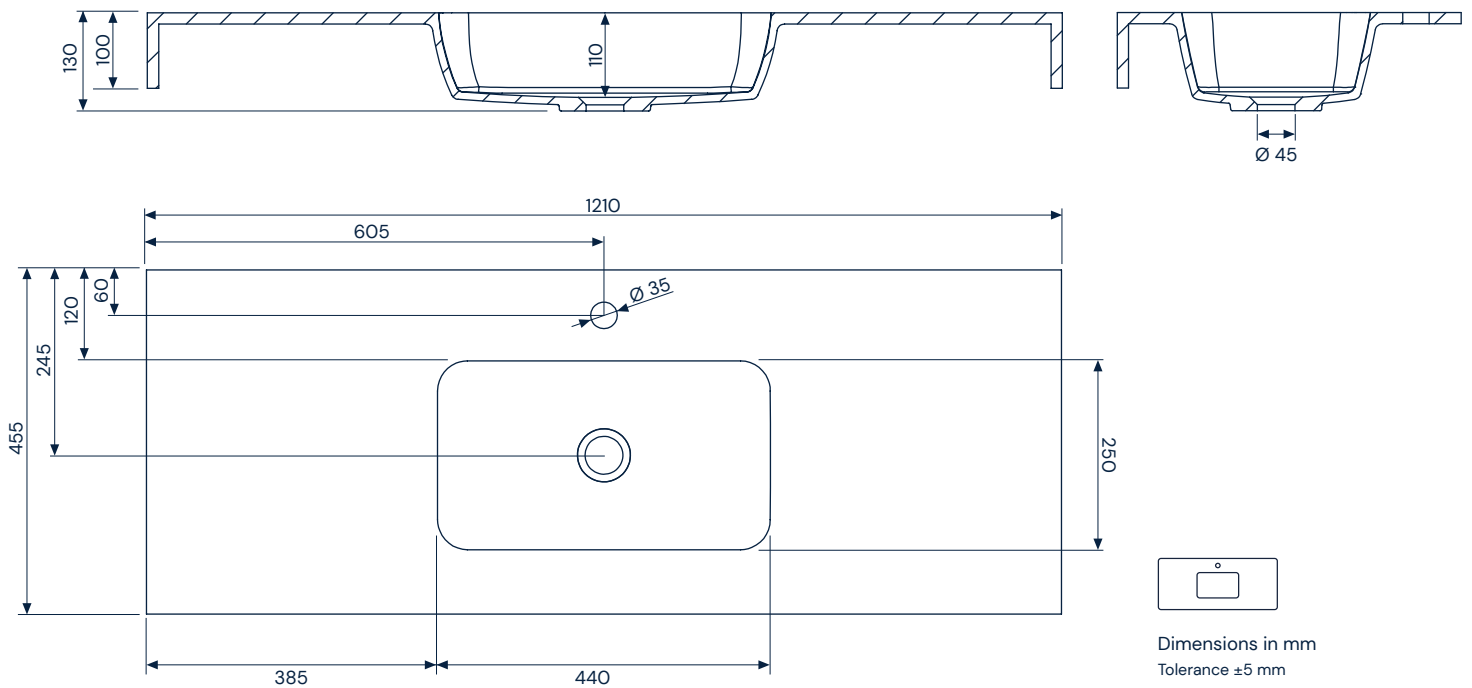
Quadra Life F10 101

SolidCoat
Surface



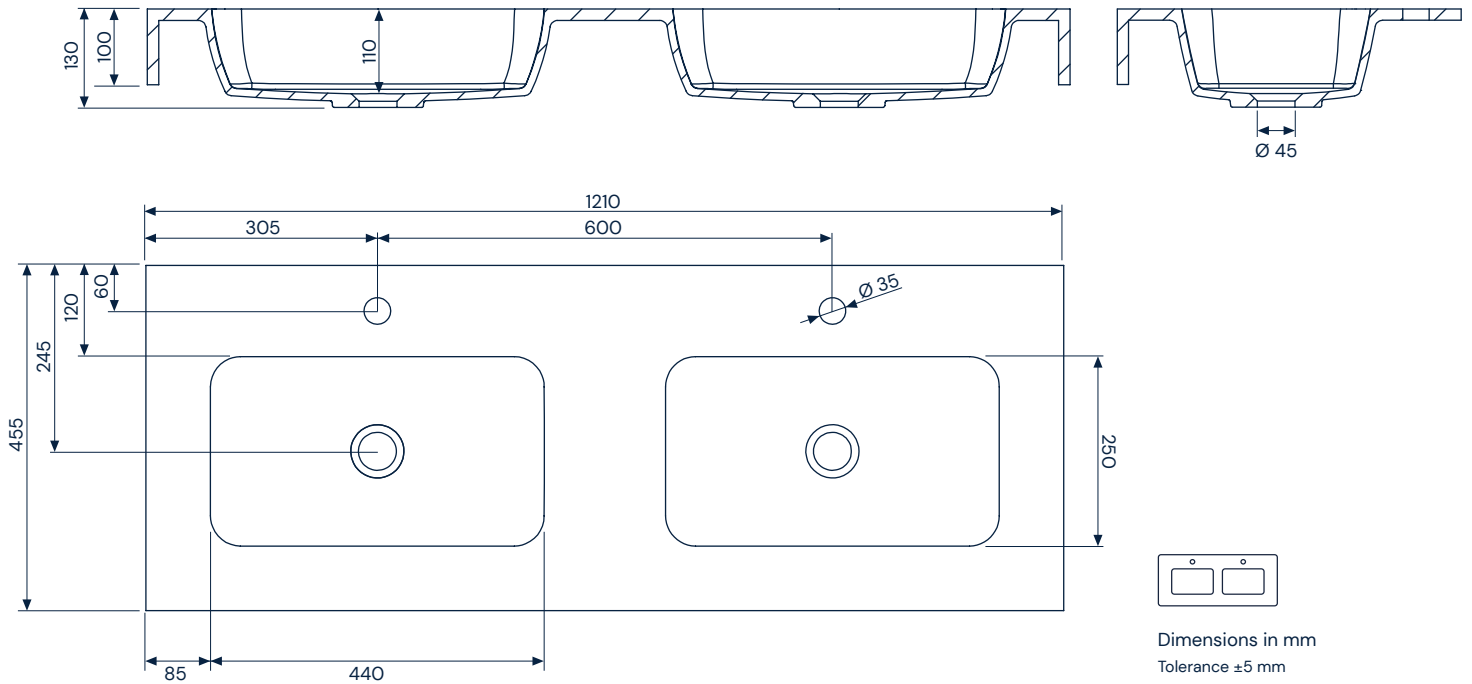
Quadra Life F10 121

SolidCoat
Surface



Quadra Life F10 121

SolidCoat
Surface



Other properties

Resistance to chemicals:

Tested product	Exposure time	Degradation
Bleach	24h	4
Salfuman	24h	4
Mr. Clean	24h	4
Viakal	24h	2
Vinegar	24h	4
Ammonia	24h	5
KH-7	24h	5
Cillit Bang	24h	5
Medium colour hair dye	1h	5
Dark colour hair dye	1h	5
Lipstick	24h	5
Oxygenated water	24h	5

Valuation	1	Surface degradation and/or blistering
	2	Significant change in brightness and/or colour
	3	Moderate change in brightness and/or colour
	4	Slight change in brightness or colour, only visible from certain inspection angles
	5	No visible change

The data and characteristics indicated do not bind BAÑOS 10 S.L., which reserves the right to make any changes it deems appropriate, without being bound by it upon prior notice or replacement. Valid data except error or omission.



Ctra. Onda - Vila-real, Km. 12,6
12200 Onda (Castellón) Spain
+34 964 626 300

Customer service export@b10bath.com
www.b10bath.com