

b10

Evolution

PRODUCT CARD

P-IMP-MKT-811 · 0124 EN

be bath
be a ten



Evolution



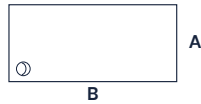
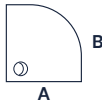
Sizes

Nominal thickness
5,5 cm

Dimensional tolerance of
± 5 mm.

A, B 80 - 90 cm

70 - 80 - 90 cm A
From 70 to 180 cm B



Product characteristics

- UV resistant
- Acoustic insulation
- Anti-slip Class 1 (UNE-41901)
- Anti-bacterial, preventing the proliferation of germs
- Totally waterproof

Customization



Anti-slip
Class 3

Installation options



Installation characteristics

- Installation on flooring
- Sealing with non-acetic silicone

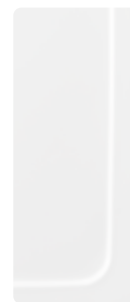
Included

- Extra-flat shower tray
- Installation manual
- Cardboard packaging

Sizes and nominal weights approx (in kg)

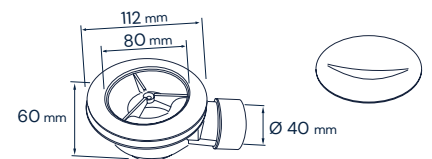
B \ A	70	80	90
70	-	-	-
80	-	12	-
90	12	-	-
100	12	14	-
120	13	15	17
140	17	17	19
150	18	-	-
160	18	19	22
170	19	-	-
180	19	-	-

Textures



Acrylic

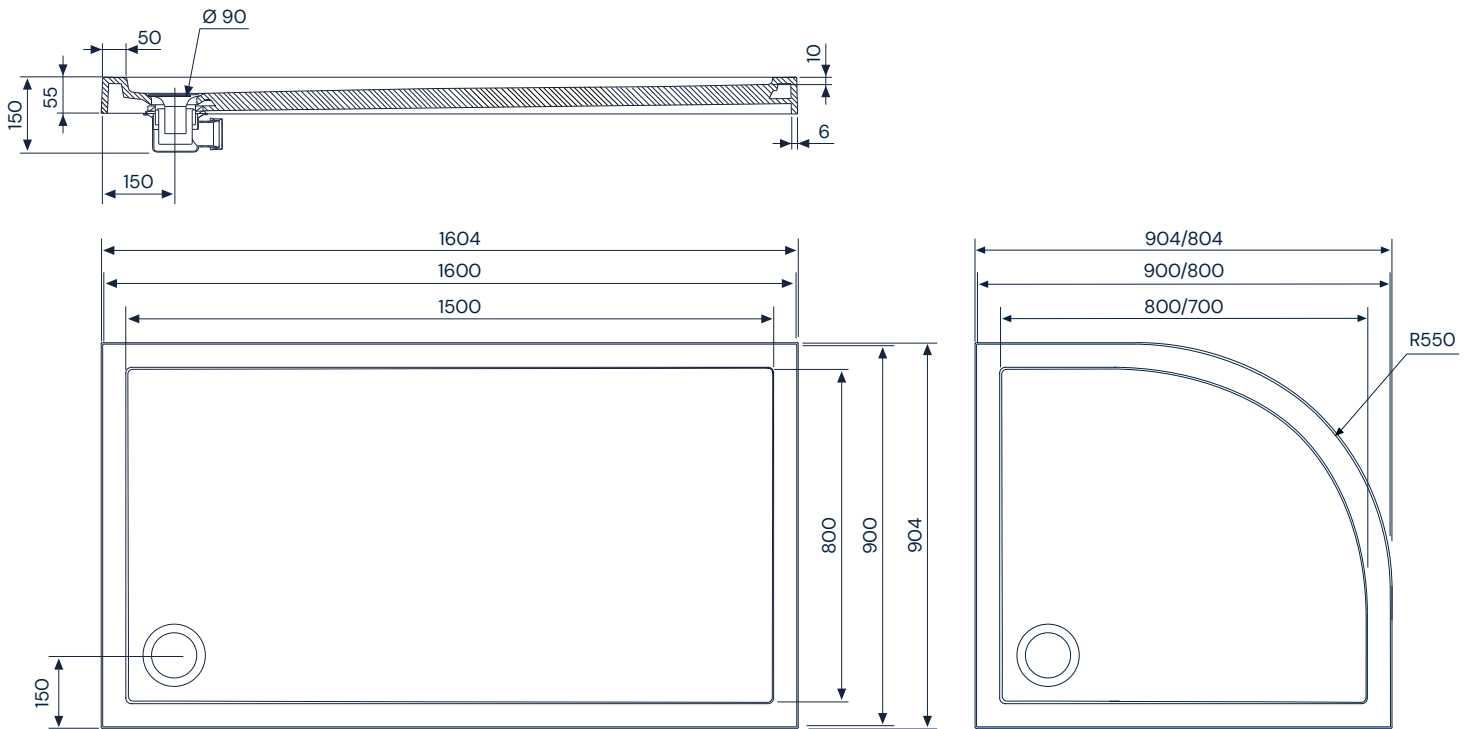
Drain



Standard drain Ø 90 mm 36 l/min
+ Cover

Drops in sewage pipes should be at least 2%

Evolution Acrylic



Dimensions in mm

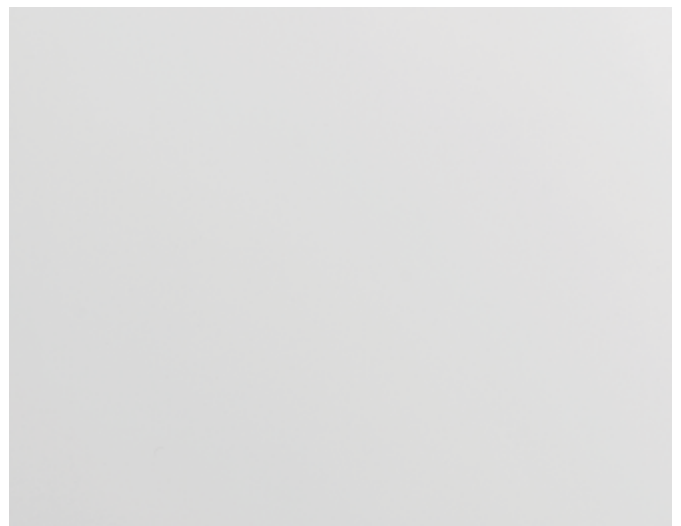
Description of materials

Acrylic

Acrylic is a material that stands out for its lightness and its high coefficient of thermal and acoustic insulation. It is a variant of weather-resistant methacrylate, highly flexible and lightweight, which greatly facilitates its handling and installation compared to products made from other materials.

It also stands out for its high impact resistance, has a hardness similar to that of aluminium and meets the requirements of the EN 263 standard for cast acrylic sheets for shower trays.

Acrylic materials are available in many different strengths. At b10, we use Asterite® from Perspex International for our Acrylic, reinforced with internal structures and compacted with special resins and fibres that keep it stable and free from noise and deformation.



Evolution Acrylic

Other properties

Declared benefits:

Characteristics essential	Submissions	Harmonised technical specifications
Cleanability	Class 1	EN 14527:2016
Durability	Class 1	EN 14527:2016
Water Evacuation	Correct	EN 14527:2016
Stability in the background	Correct	EN 14527:2016 + A1:2019
Resistance to chemicals and dyes	Correct	EN 14527:2016 + A1:2019
Resistance to temperature variations	Correct	EN 14527:2016
Slip resistance	Class 1	UNE 41901

Resistance to chemicals:

Tested product	Exposure time	Degradation
Bleach	24h	5
Salfuman	24h	5
Mr. Clean	24h	5
Viakal	24h	4
Vinegar	24h	4
Ammonia	24h	5
KH-7	24h	5
Cillit Bang	24h	5
Acetone	1min	4
Isopropanol	5min	5
Nail polish	24h	4
Medium colour hair dye	1h	4
Dark colour hair dye	30min	5
Lipstick	24h	5
Oxygenated water	24h	5
Betadine	24h	5

Valuation	1	Surface degradation and/or blistering
	2	Significant change in brightness and/or colour
	3	Moderate change in brightness and/or colour
	4	Slight change in brightness or colour, only visible from certain inspection angles
	5	No visible change

The data and characteristics indicated do not bind BAÑOS 10 S.L., which reserves the right to make any changes it deems appropriate, without being bound by it upon prior notice or replacement. Valid data except error or omission.



Ctra. Onda - Vila-real, Km. 12,6
 12200 Onda (Castellón) Spain
 +34 964 626 300

Customer service export@b10bath.com
www.b10bath.com