

b10

Meera



PRODUCT CARD

P-IMP-MKT-110 · 0124 EN

be **bath**
be a ten



Meera 

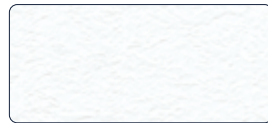


Sizes

- Widths: 80, 90 and 100 cm
- Lengths from 100 to 200 cm
- Nominal thickness 3 cm

Dimensional tolerance of ±5 mm.

Textures



Stone

Product characteristics

- Completely flat on the underside
- Impact resistant
- Anti-slip Class 2 (UNE-41901)
- Anti-bacterial, preventing the proliferation of germs
- Totally waterproof
- Repairable

Finishes



Blanco Lino Vanilla Peach Sand



Mokka Argilla Bali Capri Moon



Titan Mink Antracita Negro

Included

- Extra-flat shower tray
- Stainless steel drain cover
- High-flow linear drain 60 l/min
- Installation manual
- Cardboard packaging

Sizes and nominal weights approx (in kg)

B \ A	80	90	100
100	34	43	48
110	42	47	52
120	46	52	58
130	49	56	62
140	54	61	67
150	57	64	71
160	62	69	77
170	65	73	81
180	69	78	86
190	73	81	90
200	77	87	96

Customization



Special cut

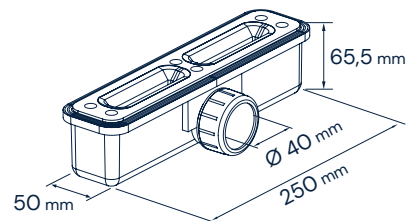


RAL



Anti-slip
Class 3

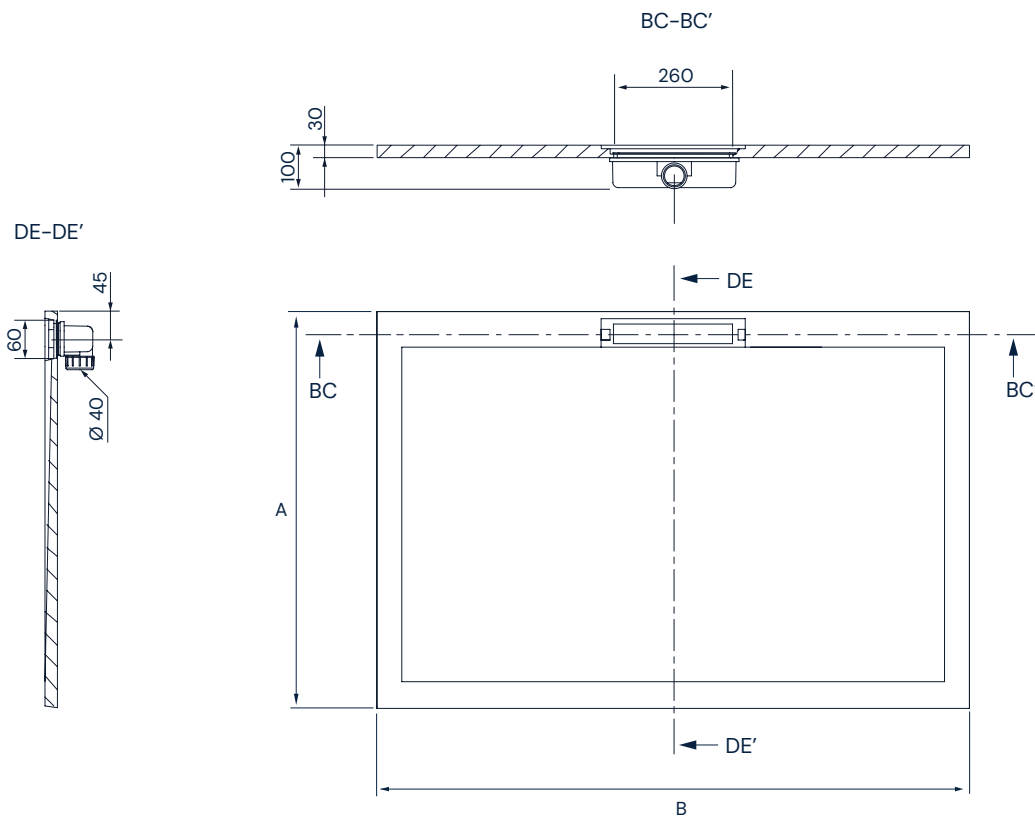
Drain included



High-flow linear drain
60 l/min
(UNE-EN 274-2)

Drain cover



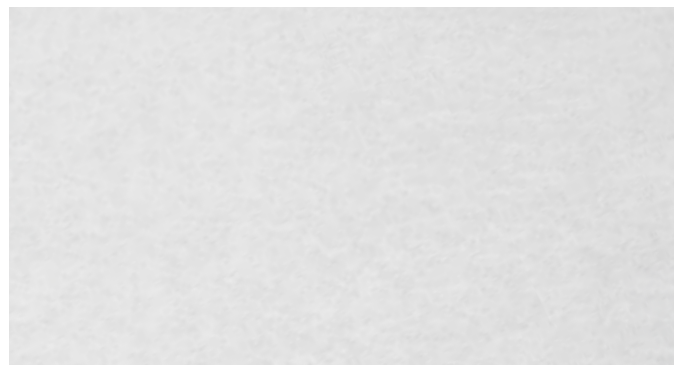


Dimensions in mm

Description of materials



Tesstone from b10 is a highly durable and resistant sustainable material made of natural mineral fillers and recycled recyclates from proximity composted with PET resins (24% recycled). The b10 Tesstone shower trays benefit from a double process of surface protection and finishing with ISO NPG gelcoat and PU cover, which gives them greater impermeability, inalterability over time, resistance, ease of maintenance and one of the most matte and natural finishes on the market.



Installation options



Installation characteristics

- Installation recessed, above ground or raised
- Recommended adhesive type R-2-T (UNE-12004)
- Watertight seal with non-acetic silicone

Drops in sewage pipes should be at least 2%

Other properties

Declared benefits:

Characteristics essential	Submissions	Harmonised technical specifications
Cleanability	Class 2	EN 14527:2016 + A1:2019
Durability	Class 2	EN 14527:2016 + A1:2019
Water Evacuation	Correct	EN 14527:2016
Stability in the background	Correct	EN 14527:2016 + A1:2019
Resistance to chemicals and dyes	Correct	EN 14527:2016 + A1:2019
Resistance to temperature variations	Correct	EN 14527:2016
Slip resistance	Class 2	UNE 41901

Resistance to chemicals:

Tested product	Exposure time	Degradation
Bleach	24h	5
Salfuman	24h	5
Mr. Clean	24h	5
Viakal	24h	4
Vinegar	24h	4
Ammonia	24h	5
KH-7	24h	5
Cillit Bang	24h	5
Acetone	1min	4
Isopropanol	5min	5
Nail polish	24h	4
Medium colour hair dye	1h	4
Dark colour hair dye	30min	5
Lipstick	24h	5
Oxygenated water	24h	5
Betadine	24h	5

Valuation	1	Surface degradation and/or blistering
	2	Significant change in brightness and/or colour
	3	Moderate change in brightness and/or colour
	4	Slight change in brightness or colour, only visible from certain inspection angles
	5	No visible change

The data and characteristics indicated do not bind BAÑOS 10 S.L., which reserves the right to make any changes it deems appropriate, without being bound by it upon prior notice or replacement. Valid data except error or omission.

