

**b 10**

**Natural**



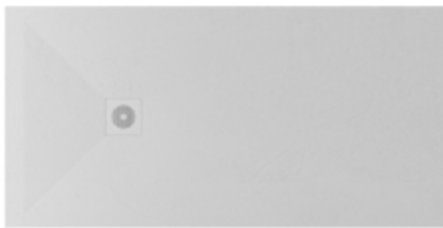
**PRODUCT CARD**

P-IMP-MKT-131 · 0124 EN

be **bath**  
be a ten



## Natural stone



### Sizes

- Widths: 70-80-90-100-120 cm
- Lengths from 70 to 200 cm
- Nominal thickness Smooth 2,8 cm
- Nominal thickness Slate 3 cm

Dimensional tolerance of  $\pm 5$  mm.

### Textures



Slate

Smooth

### Product characteristics

- Completely flat on the underside
- Impact resistant
- Anti-slip Class 2 (UNE-41901)
- Anti-bacterial, preventing the proliferation of germs
- Totally waterproof
- Repairable

### Finishes



Blanco Lino Vanilla Peach Sand



Mokka Argilla Bali Capri Moon



Titan Mink Antracita Negro

### Optional digital finishes



Calacatta Therma Osso Therma Cannella Therma Argento Therma Pietra

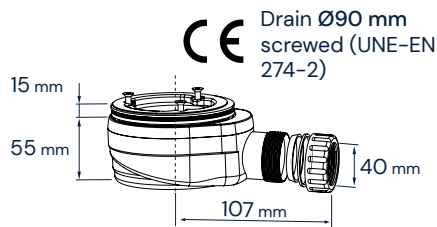
### Included

- Extra-flat shower tray
- Drain  $\varnothing 90$  mm screwed (42 l/min) + Stainless steel drain cover
- Installation manual
- Cardboard packaging

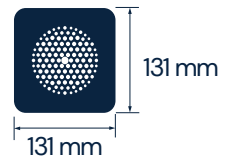
### Sizes and nominal weights approx (in kg)

| B \ A | 70 | 80 | 90 | 100 | 120 |
|-------|----|----|----|-----|-----|
| 70    | -  | -  | -  | -   | -   |
| 80    | 27 | 32 | -  | -   | -   |
| 90    | 31 | 35 | 40 | -   | -   |
| 100   | 35 | 40 | 45 | 49  | -   |
| 110   | 38 | 43 | 49 | 54  | -   |
| 120   | 42 | 48 | 54 | 60  | 76  |
| 130   | 45 | 51 | 58 | 64  | 81  |
| 140   | 49 | 56 | 63 | 70  | 88  |
| 150   | 52 | 59 | 67 | 74  | 93  |
| 160   | 56 | 64 | 72 | 80  | 100 |
| 170   | 59 | 67 | 76 | 84  | 106 |
| 180   | 63 | 72 | 81 | 90  | 113 |
| 190   | 66 | 75 | 85 | 94  | 118 |
| 200   | 70 | 80 | 90 | 100 | 125 |

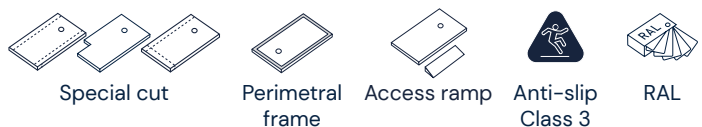
### Drain included



### Drain cover



### Customization

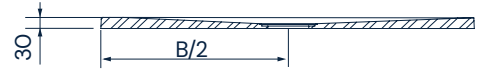
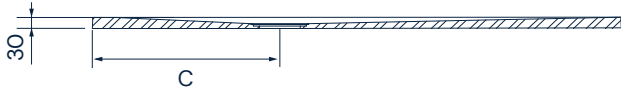


### Optional metallic finishes



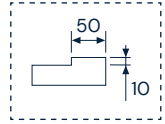
Carbon Champagne Sparkly Silver

**Natural** tesstone

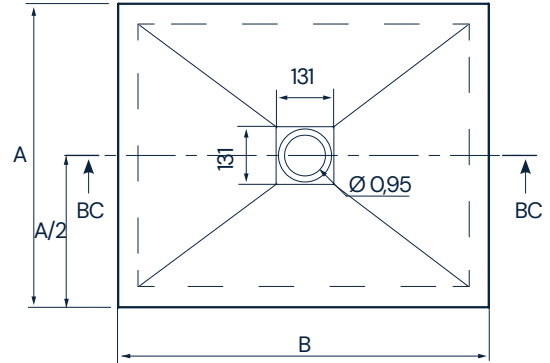
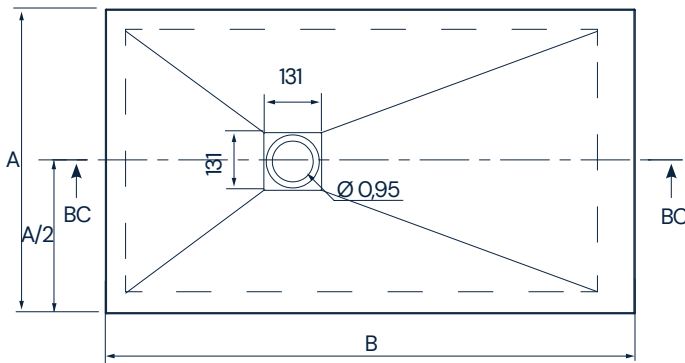


Length = width →  $c = \text{length} / 2$

Length = width →  $c = 430$



Perimetral frame

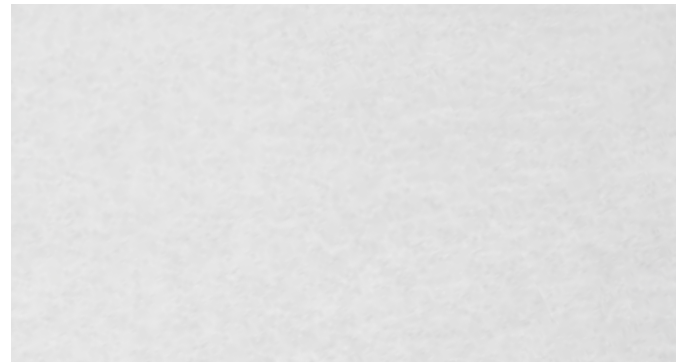


Dimensions in mm

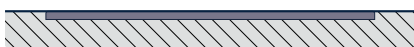
**Description of materials**



Tesstone from b10 is a highly durable and resistant sustainable material made of natural mineral fillers and recycled recyclates from proximity composted with PET resins (24% recycled). The b10 Tesstone shower trays benefit from a double process of surface protection and finishing with ISO NPG gelcoat and PU cover, which gives them greater impermeability, inalterability over time, resistance, ease of maintenance and one of the most matte and natural finishes on the market.



**Installation options**



**Installation characteristics**

- Installation recessed, above ground or raised
- Recommended adhesive type R-2-T (UNE-12004)
- Watertight seal with non-acetic silicone

Drops in sewage pipes should be at least 2%

## Other properties

Declared benefits:

| Characteristics essential            | Submissions | Harmonised technical specifications |
|--------------------------------------|-------------|-------------------------------------|
| Cleanability                         | Class 2     | EN 14527:2016                       |
| Durability                           | Class 2     | EN 14527:2016                       |
| Water Evacuation                     | Correct     | EN 14527:2016                       |
| Stability in the background          | Correct     | EN 14527:2016 + A1:2019             |
| Resistance to chemicals and dyes     | Correct     | EN 14527:2016 + A1:2019             |
| Resistance to temperature variations | Correct     | EN 14527:2016                       |
| Slip resistance                      | Class 2     | UNE 41901                           |

Resistance to chemicals:

| Tested product         | Exposure time | Degradation |
|------------------------|---------------|-------------|
| Bleach                 | 24h           | 5           |
| Salfuman               | 24h           | 5           |
| Mr. Clean              | 24h           | 5           |
| Viakal                 | 24h           | 4           |
| Vinegar                | 24h           | 4           |
| Ammonia                | 24h           | 5           |
| KH-7                   | 24h           | 5           |
| Cillit Bang            | 24h           | 5           |
| Acetone                | 1min          | 4           |
| Isopropanol            | 5min          | 5           |
| Nail polish            | 24h           | 4           |
| Medium colour hair dye | 1h            | 4           |
| Dark colour hair dye   | 30min         | 5           |
| Lipstick               | 24h           | 5           |
| Oxygenated water       | 24h           | 5           |
| Betadine               | 24h           | 5           |

| Valuation | 1 | Surface degradation and/or blistering  |
|-----------|---|--|
|           | 2 | Significant change in brightness and/or colour                                     |
|           | 3 | Moderate change in brightness and/or colour  |
|           | 4 | Slight change in brightness or colour, only visible from certain inspection angles |
|           | 5 | No visible change  |

The data and characteristics indicated do not bind BAÑOS 10 S.L., which reserves the right to make any changes it deems appropriate, without being bound by it upon prior notice or replacement. Valid data except error or omission.

