

**b10**

**Natural**

**Life**

**PRODUCT CARD**

P-IMP-MKT-131 · 0124 EN

be **bath**  
be a ten



## Natural



### Sizes

- Widths: 70, 80, 90 and 100 cm
- Lengths from 70 to 200 cm
- Nominal thickness 3 cm

Dimensional tolerance of  $\pm 5$  mm.

### Textures



Life

### Product characteristics

- Completely flat on the underside
- Impact resistant
- Anti-slip Class 2 (UNE-41901)
- Anti-bacterial, preventing the proliferation of germs
- Totally waterproof

### Finishes



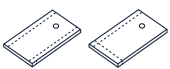
Roble

Nogal

Roble Gris

Wengué

### Customization



Special cut



Anti-slip  
Class 3

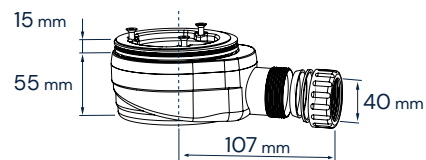
### Included

- Extra-flat shower tray
- Drain  $\varnothing 90$  mm screwed (42 l/min)
- Stainless steel drain cover
- Installation manual
- Cardboard packaging

### Sizes and nominal weights approx (in kg)

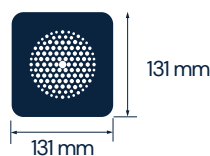
B \ A	70	80	90	100
70	-	-	-	-
80	27	32	-	-
90	31	35	40	-
100	35	40	45	49
110	38	43	49	54
120	42	48	54	60
130	45	51	58	64
140	49	56	63	70
150	52	59	67	74
160	56	64	72	80
170	59	67	76	84
180	63	72	81	90
190	66	75	85	94
200	70	80	90	100

### Drain included

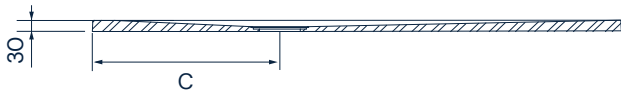


**CE**  
Drain  $\varnothing 90$  mm  
screwed (UNE-EN  
274-2)

### Drain cover

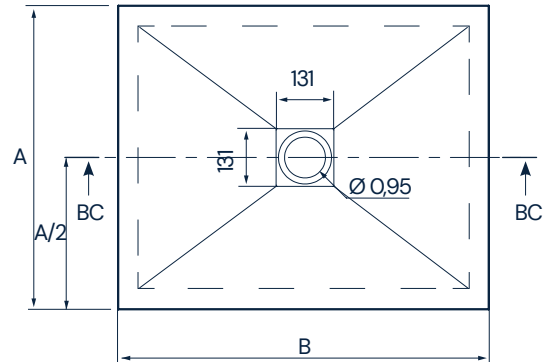
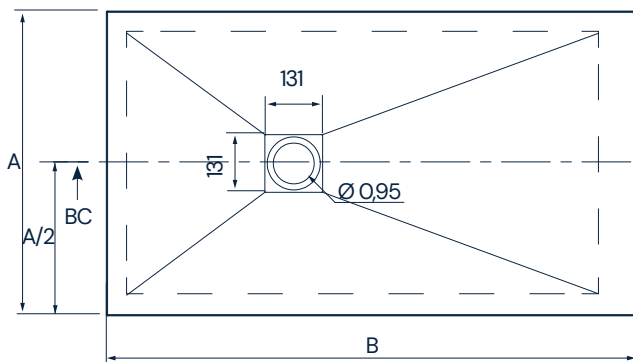


Natural **tesstone**



Length = width →  $c = \text{length} / 2$

Length = width →  $c = 430$

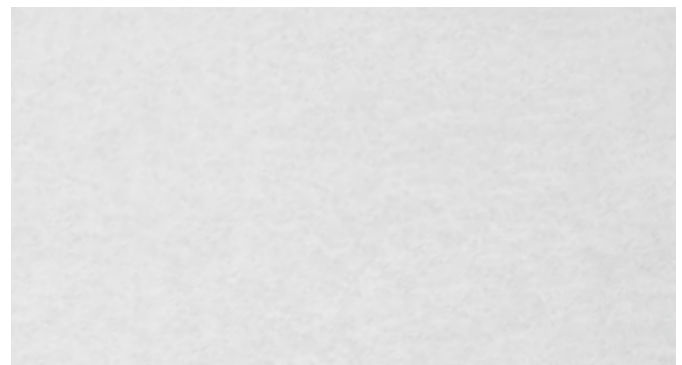


Dimensions in mm

Description of materials



Tesstone from b10 is a highly durable and resistant sustainable material made of natural mineral fillers and recycled recyclates from proximity composted with PET resins (24% recycled). The b10 Tesstone shower trays benefit from a double process of surface protection and finishing with ISO NPG gelcoat and PU cover, which gives them greater impermeability, inalterability over time, resistance, ease of maintenance and one of the most matte and natural finishes on the market.



Installation options



Installation characteristics

- Installation recessed, above ground or raised
- Recommended adhesive type R-2-T (UNE-12004)
- Watertight seal with non-acetic silicone

Drops in sewage pipes should be at least 2%

## Other properties

Declared benefits:

Characteristics essential	Submissions	Harmonised technical specifications
Cleanability	Class 2	EN 14527:2016
Durability	Class 2	EN 14527:2016
Water Evacuation	Correct	EN 14527:2016
Stability in the background	Correct	EN 14527:2016 + A1:2019
Resistance to chemicals and dyes	Correct	EN 14527:2016 + A1:2019
Resistance to temperature variations	Correct	EN 14527:2016
Slip resistance	Class 2	UNE 41901

Resistance to chemicals:

Tested product	Exposure time	Degradation
Bleach	24h	5
Salfuman	24h	5
Mr. Clean	24h	5
Viakal	24h	4
Vinegar	24h	4
Ammonia	24h	5
KH-7	24h	5
Cillit Bang	24h	5
Acetone	1min	4
Isopropanol	5min	5
Nail polish	24h	4
Medium colour hair dye	1h	4
Dark colour hair dye	30min	5
Lipstick	24h	5
Oxygenated water	24h	5
Betadine	24h	5

Valuation	1	Surface degradation and/or blistering
	2	Significant change in brightness and/or colour
	3	Moderate change in brightness and/or colour
	4	Slight change in brightness or colour, only visible from certain inspection angles
	5	No visible change

The data and characteristics indicated do not bind BAÑOS 10 S.L., which reserves the right to make any changes it deems appropriate, without being bound by it upon prior notice or replacement. Valid data except error or omission.

